

MB

MONOBLOCK implant

C-TECH INSTRUMENTS NECESSARY FOR MB IMPLANT SURGERY

MAN - TAPER



- MANTAPER 9 mm
- MANTAPER 11 mm
- MANTAPER 13 mm
- MANTAPER 15 mm

MAN - O-BALL



- MANOB 9 mm
- MANOB 11 mm
- MANOB 13 mm
- MANOB 15 mm

MAX - TAPER



- MAXTAPER 9 mm
- MAXTAPER 11 mm
- MAXTAPER 13 mm
- MAXTAPER 15 mm

MAX - O-BALL



- MAXOB 9 mm
- MAXOB 11 mm
- MAXOB 13 mm
- MAXOB 15 mm



Locator drill
CT-2020



2.0 external irrigation drill
(Ø 2.0) MC-3001/20



2.6 external irrigation drill
(Ø 2.6) ND-1726E



ND-1730E
counterbore



Stopper (9mm)
CT-stop07



Stopper (11 mm)
CT-stop-08



Stopper (13 mm)
CT-stop09



Drill extender
CT-2000



Torque Wrench (50 Ncm)
CT-8010



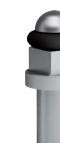
TCP - 3mm
3mm Tissue Punch



Butterfly Drill
MC-3002



MC-3003S
Short



MC-3003M
Medium

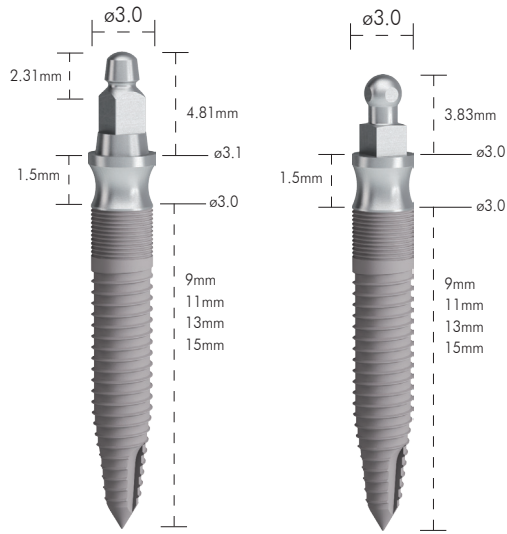


MC-3003L
Long

C-TECH
IMPLANT

www.c-tech-implant.com

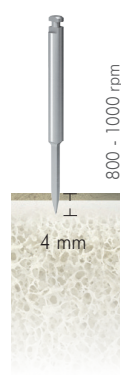
MAN - TAPER / MAN - O-BALL FOR DENSITY D1/D2



TCP - 3mm
3mm Tissue Punch



CT-2020
Locator Drill



MC-3001/20
 $\varnothing 2$ mm drill



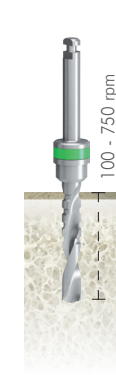
ND-1726E
 $\varnothing 2.6$ mm drill



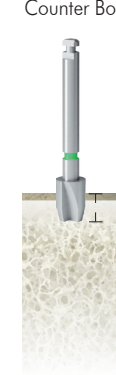
MC-3003
Ratchet adapter



ND-1726E
 $\varnothing 2.6$ mm drill



CT-1730E
 $\varnothing 3$ mm
Counter Bore

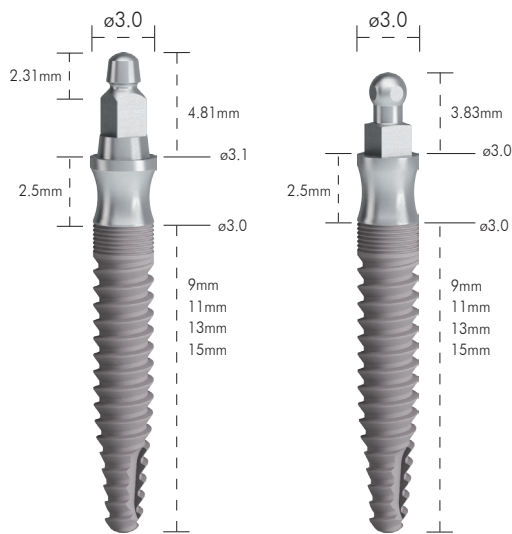


MC-3003
Ratchet adapter



ADDITIONAL STEPS FOR COMPACT D1

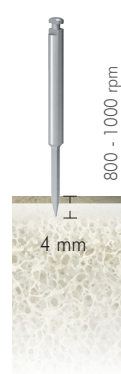
MAX - TAPER / MAX - O-BALL FOR DENSITY D2/D3



TCP - 3mm
3mm Tissue Punch



CT-2020
Locator Drill



MC-3001/20
 $\varnothing 2$ mm drill



MC-3003
Ratchet adapter



ND-1726E
 $\varnothing 2.6$ mm drill



MC-3003
Ratchet adapter



ADDITIONAL STEPS FOR COMPACT D2